

Entered upon transfer of books  
and for taxation this 19<sup>th</sup>

day of September 2013

Danica M White Auditor

By Jessica Graves Deputy

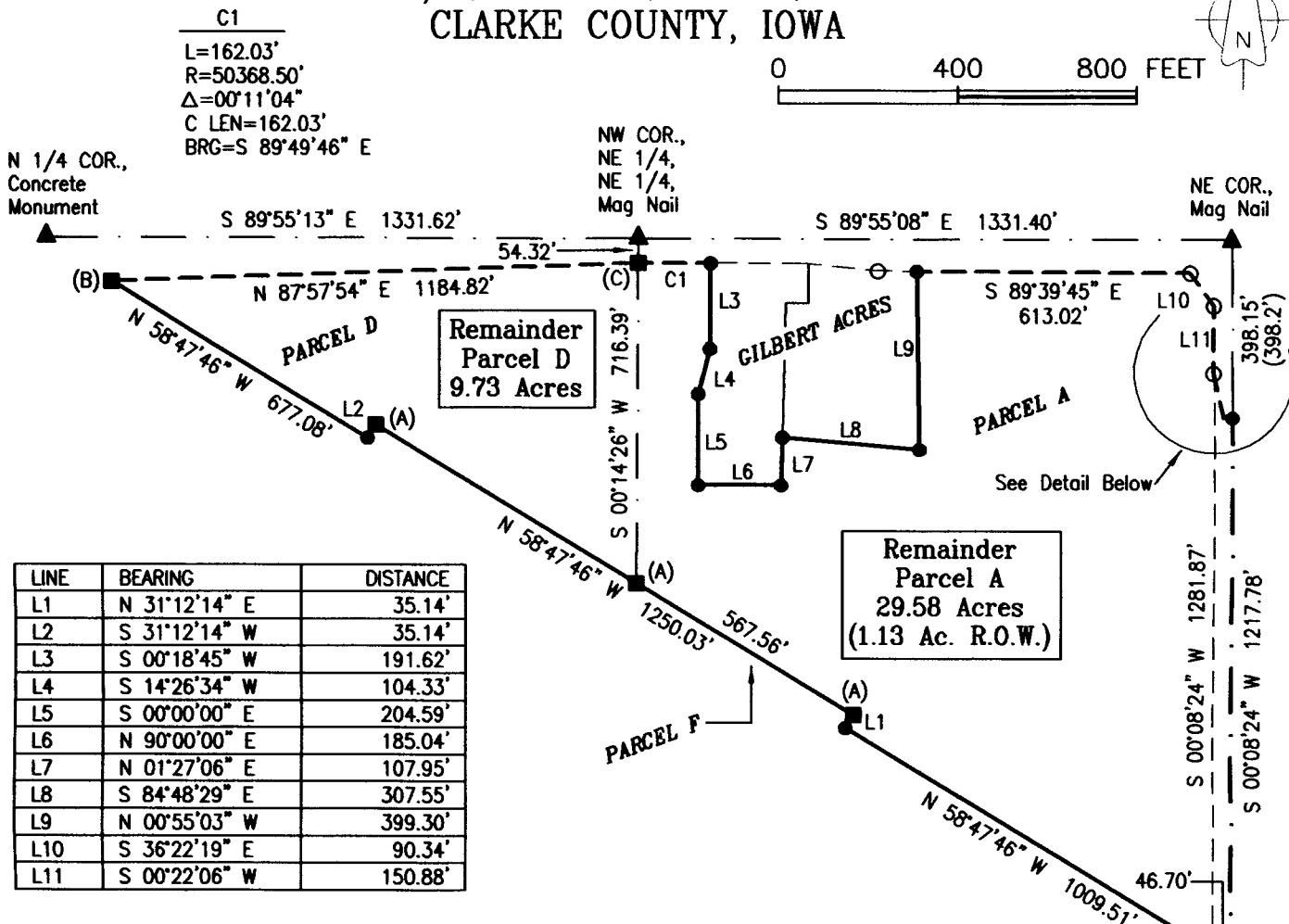
Clarke County Peggy Cummings, Recorder  
Fee Book 2013-1834  
09/18/2013 @10:32AM # Pages 1  
XPS PLAT OF SURVEY  
Total Fees: \$7.00

BK 44 Ps 521

REC 1542=7  
PUD ✓  
TRNS ✓  
REL ✓  
COPY ✓  
INDEX ✓  
SCAN ✓  
RETURN ✓

DANIELS LAND SURVEYING, 22598 18TH AVE, NEW VIRGINIA, IA 50210 515-577-2583

RETRACEMENT SURVEY  
NE 1/4, SEC. 22, T 72N, R 25W  
CLARKE COUNTY, IOWA

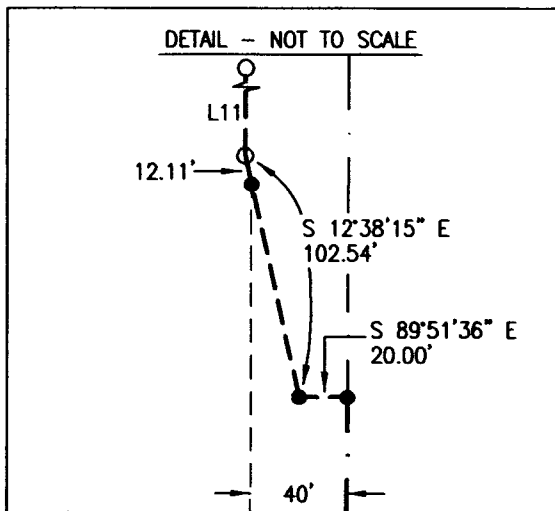


**SURVEY NOTE:**

This survey is a retracement survey of Parcel A, recorded in Book 43 Page 93 and of Parcel D, recorded in Book 44 Pages 115-117, EXCEPT, Parcel F, recorded in Book 44 Pages 357-358, AND EXCEPT, Gilbert Acres, an official plat of Clarke County recorded in Book 2013 Page 1470, all being in the Northeast Quarter of Section 22, Township 72 North, Range 25 West of the 5th P.M., Clarke County, Iowa.

Said tract contains 39.31 acres including 1.13 acres of Clarke County road easement.

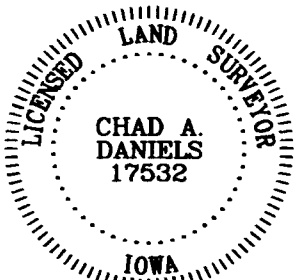
- (A) - 1/2" red C.I.R., #19440
- (B) - 5/8" yellow C.I.R., #9781
- (C) - 5/8" rebar



E 1/4 COR., 1/2" orange plastic capped rebar, #unreadable

BASIS OF BEARINGS IS GPS NORTH

- ( ) - Recorded Distance/Bearing
- Right-of-way Line
- - - Section line
- Monuments**
- ▲ - Found section corner
- - Found/Set 1/2" red plastic capped rebar, #17532
- - Found property corner
- - Found I.D.O.T. ROW Rail



I hereby certify that this surveying document was prepared by me and the related survey work was performed by me or under my direct personal supervision and that I am a duly licensed Land Surveyor under the laws of the State of Iowa.

Signed Chad A. Daniels 9/17/2013  
Date

Iowa License No. 17532  
My license renewal date is 12-31-2014  
Page No.'s covered by this seal: 1

SUBDIVIDER AND OWNER: Teamwork Ranch LLC, 6400 Westown Pkwy, West Des Moines, IA 50266

PROJ. NO. 412

DATE OF SURVEY: 09/17/2013

PAGE 1 of 1